



# Auto-Draft® Model VSUB with a UC1 Control (Adjustable - Fixed Speed)

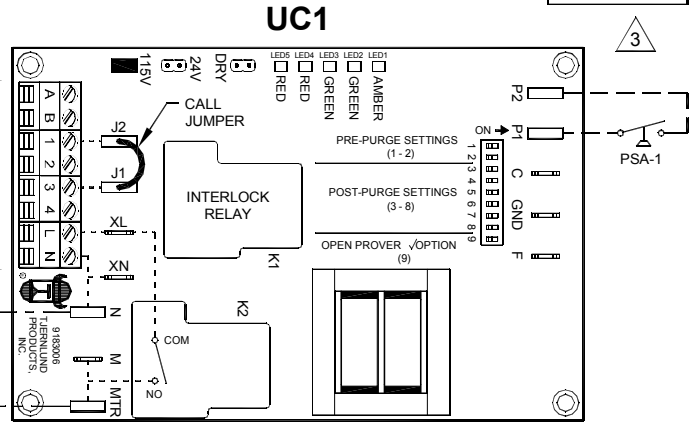
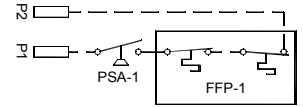
PROJECT: \_\_\_\_\_

**LEGEND:**

- 5 VDC BOARD-GENERATED POWER  
DO NOT SUPPLY POWER!
- 24 VDC
- 115 VAC
- 230 VAC
- 230 VAC OR 460 VAC

FIGURE 8089009 1/3/05

SEE UC1 INSTRUCTIONS  
FOR APPLIANCE  
INTERLOCK INFORMATION



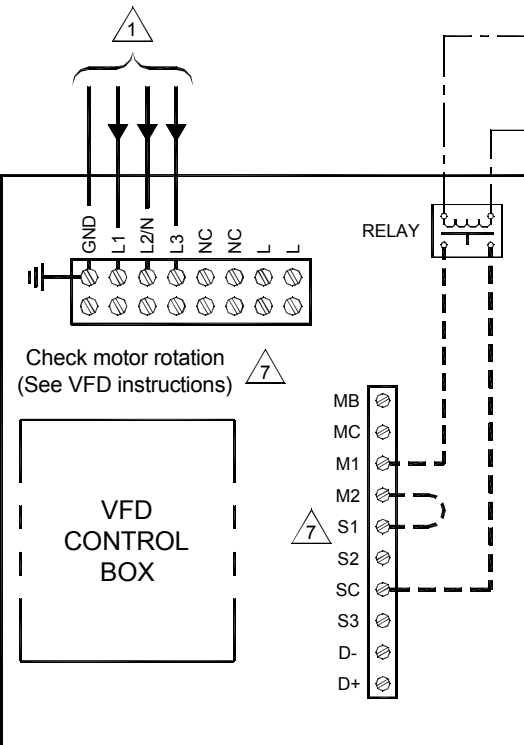
**WARNING**  
Remove power to Universal Control when installing, servicing, or changing dip switch settings. Failure to do so may result in personal injury and/or equipment damage.  
LED #5 (RED) should not be on if power is removed from the control.

**NOTES:**

1. Verify that the input voltage matches the VFD's nameplate BEFORE applying power or severe damage will result.
2. Verify that the VSUB motor is wired for the output voltage from the VFD. If not correct, severe damage will result.
3. Use FFP-1 when using VSUB as a combustion air provider.
4. All wiring must be in metal conduit.
5. DO NOT run input and output wiring in the same conduit.
6. For appliance interlock, use UC1 instructions.
7. To reverse rotation, move the gray jumper from S1 to S2.

**IMPORTANT:**

Perform a safety interlock and operational test as outlined in the installation manuals.



- MB
- MC
- M1
- M2
- S1
- S2
- SC
- S3
- D-
- D+

TJERNLUND DRIVE MODEL  
VFD- \_\_\_\_\_ O3  
"O" means "Open Loop"

All wiring must be in metal conduit  
or shielded cable. Maximum length  
300' (91m) @ 230 VAC and  
100' (30m) @ 460 VAC

**VSUB  
WEATHERPROOF  
BOX AND WHIP**

