



Submittal Data Sheet

FSAD12-230 AUTO-DRAFT® INDUCER

Job Name: _____

Equipment Rep: _____

Contractor: _____

Prepared By: _____

Arch./Engr.: _____

Date: _____

Description:

Exterior mount fixed speed mechanical draft inducer is ETL Listed for vertical and sidewall venting. Assures a negative pressure throughout the entire vent system. Features integral stainless steel handles and hinged housing with removable hinge pin for ease of installation and service. Integral tilt switch stops fan operation if housing is opened. Includes motor winding and compartment Limit Switches and PSA-1 Fan Proving switch.

Housing Construction:

Venter housing is constructed of 3/16" Type 5052 aluminum and coated with bronze toned, high-temperature, corrosion resistant Ryton® PPS which offers the broadest resistance to chemicals of any advanced engineered plastic.

Impeller Construction:

Backward inclined Impeller is constructed of Type 304 stainless steel and computer balanced.

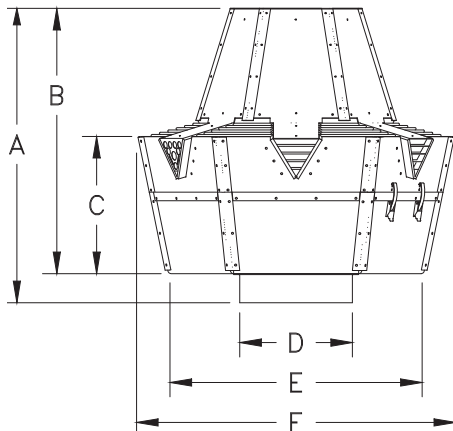
Motor:

Split phase, 230 VAC, 60 Hz, permanently lubricated, sealed ball bearing. Fixed speed 1725 RPM.

Incorporates patented thermally actuated motor cooling system for extended motor life.

Temperature Rating:

U.S. 500° F
Canada 575° F / 300° C



Listings:

ETL # 56826
UL 378 - Draft Equipment / Variable Speed
CSA-CAN3-B255-M81 / CSA-B140-M87



Warranty:

2 year mechanical
10 year corrosion

Standard Equipment:

- 4" x 4" weatherproof junction box with 4' conduit
- PSA-1 Fan Proving Switch
- Mounting Plate
- Inlet Collar

Optional Equipment:

- RMK or WMK Series ETL approved Roof / Wall Mount kits
- ABD-Series Stainless Steel Adjustable Balancing Dampers 4-10", 12" & 14" models

Optional Controls:

- UC1 Universal Control
- MAC1E, MAC4E Multiple Appliance Control (Requires UC1)
- WHKE Millivolt Interlock Kit (Requires UC1)

MODEL	FSAD12-230	
Fan Type		Centrifugal Impeller
Voltage	VAC	208-230
RPM		1725
Amps	A	9.3
Power Rating	hp	1 1/2
	kW	1.12
Weight	lbs	138
	kgs	62.59
Dimensions	A	in 28 3/4
		mm 730
	B	in 26 1/2
		mm 674
	C	in 13 5/8
		mm 348
	D	in 11 7/8
		mm 302
	E	in 26 3/16
		mm 665
	F	in 31 3/4
		mm 806
Motor Soft Start Required		No
Variable Speed Motor		No