



TJERNLUND PRODUCTS, INC.

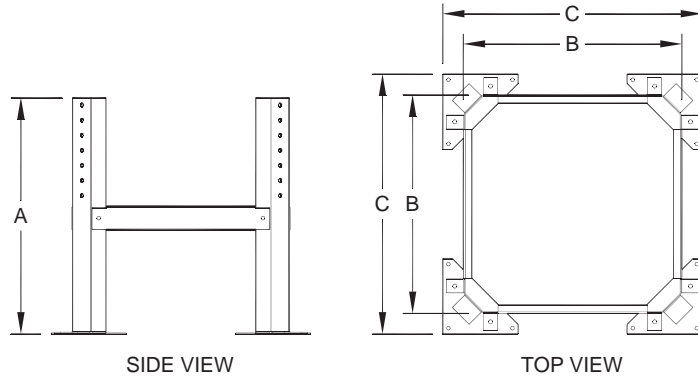
1601 Ninth Street • White Bear Lake, MN 55110-6794
PHONE (800) 255-4208 • (651) 426-2993 • FAX (651) 426-9547
Visit our web site • www.tjernlund.com

RTS SERIES ROOFTOP INDUCER MOUNTING KITS

Constructed out of 16 gauge G90 galvanized steel
Rooftop Inducer base adjustable in 1" increments from 10" to 16"

RTS SERIES ROOF MOUNT KIT DIMENSIONS (ALL DIMENSIONS ARE IN INCHES)			
	A	B	C
RTS8	15.75	14.50	17.25
RTS12	15.75	17.00	19.75

FIGURE 8053001



⚠ WARNING

When using the RTS-Series mounting kit, vent pipe manufacturer's clearances to combustibles and recommended support and installation guidelines must be adhered to. The RTS mounting location must be based on "Termination Clearances" found in the Rooftop Inducer instruction manual and/or local codes.

ASSEMBLY AND INSTALLATION OF RTS-SERIES ROOF MOUNTING KIT

Determine mounting location considering adequate roof support and termination clearances.

1. The Rooftop Inducer base can be adjusted from 10" to 16" in 1" increments. Each RTS leg should be cut down a maximum of 3/8" above the top of desired adjustment hole so Rooftop Inducer base holes line up with leg holes. Assemble (4) RTS legs with (4) support cross braces and (2) bolts and lock nuts on each brace, (See Diagram A).

⚠ WARNING

Rooftop motor side is heavy. Housing hinge pins should be removed for easier installation. When removing motor side, use extreme caution so internal parts such as the impeller are not damaged.

2. Make sure that the Rooftop Inducer base hinges are positioned so that Inducer swings towards the desired direction. The electrical whip of the Rooftop Inducer is also located on the hinged side. Place Rooftop Inducer Base on top of RTS legs and insert (4) bolts through Inducer Base corners and legs and firmly tighten with (4) lock nuts. Attach feet to legs and firmly tighten (2) lock nuts on each leg, (See Diagram B).
3. Use appropriate fasteners to attach RTS stand to roof. Fasteners should be installed in at least (2) holes on each foot. Mounting holes and vent pipe roof penetrations must be adequately sealed and flashed to prevent leakage, (See Diagram B).

DIAGRAM A

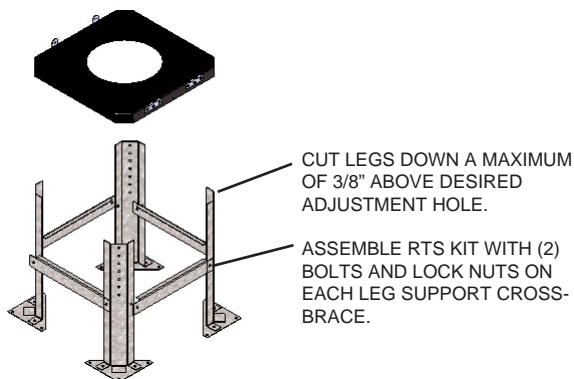


DIAGRAM B

