



Submittal Data Sheet

VSub12SS Variable Speed Universal Blower

Job Name: _____

Equipment Rep: _____

Contractor: _____

Prepared By: _____

Arch./Engr.: _____

Date: _____

Description:

The VSub12SS Variable Speed Universal Blower is suitable for providing combustion air or sidewall or vertically venting heating appliances, dryers and ovens. Suitable for use on condensing equipment. Can be installed indoors or outdoors.

Use with the CPC-3 Constant Pressure Controller, Closed Loop VFD and TD-Series Pressure Transducer for an Automatic-Variable Speed system which will modulate to always deliver the perfect amount of draft or combustion air. For an Adjustable-Fixed Speed system, use an Open Loop VFD to manually adjust speed of the VSub.

Housing Construction:

Constructed of 14-gauge, Type 316L stainless steel with continuous welds. The blower outlet rotates 180° for installation flexibility. The motor chassis slides away from the housing on polyethylene guides for easy motor and impeller access.

Impeller:

Backward inclined, Type 304 stainless steel, Class 1 impeller is both dynamically and statically balanced with permanently attached balancing weights.

Motor:

Three phase, 1 HP, 208-230/460 VAC, TEFC, EPACK High Efficiency Rated, arctic-duty, thermal overload protected, permanently lubricated and sealed ball bearing.

Standard Equipment:

- 4" x 4" weatherproof junction box with 4' conduit
- Square to round vent pipe adapter
- PSA-1 Fan Proving Switch
- FFP-1 Freeze and Fire Protection Limit (FFP-1 For combustion air applications only!)
- Condensate drain kit

Optional Controls:

- CPC-3 Constant Pressure Controller
- IPS-1 Indoor Pressure Sensor decorative cover, fittings
- TD-2 Pressure Transducer (+0.15" to -0.60" w.c.) For draft or "Sealed" (ducted sealed combustion air) sensing
- TD-3 Pressure Transducer (+0.10" to -0.10" w.c.) For "Open" (room pressure) combustion air sensing
- VFD-Series Variable Frequency Drives

Temperature Rating:

U.S. and Canada 575°F / 300°C

Listings:

ETL # 56826
 UL 378 - Draft Equipment / Variable Speed
 UL 705 - Power Ventilators
 CSA-CAN3-B255-M81*
 *Not Listed for use on condensing equipment in Canada.

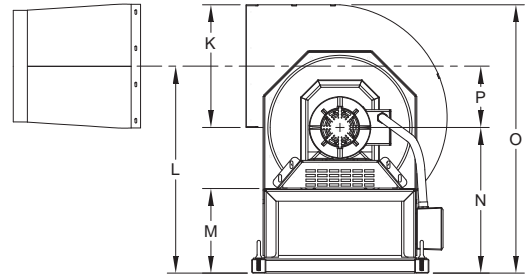


Warranty:

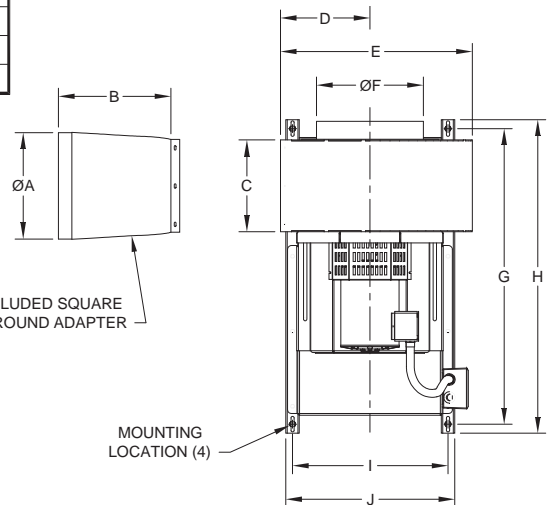
2 year mechanical

| Model VSub12SS | 208-230 Volt | 460 Volt |
|----------------|--------------------|----------|
| Power hp | 1 | 1 |
| Amps A | 3.2 - 3.0 | 1.5 |
| Voltage VAC | 3x208-230 | 3x460 |
| Weight | 205 Lbs. / 93 Kgs. | |

| | VSub12SS |
|---|-----------|
| A | 11 7/8" |
| B | 12 1/2" |
| C | 9 5/8" |
| D | 10 1/8" |
| E | 21 7/16" |
| F | 11 15/16" |
| G | 33" |
| H | 35" |
| I | 17 3/8" |
| J | 18 7/8" |
| K | 13 1/4" |
| L | 21 13/16" |
| M | 8 7/8" |
| N | 15 7/16" |
| O | 28 7/16" |
| P | 6 5/16" |



END VIEW



TOP VIEW