



# Submittal Data Sheet

## VSVS6000 Variable Speed Ventilator

Job Name: \_\_\_\_\_

Equipment Rep: \_\_\_\_\_

Contractor: \_\_\_\_\_

Prepared By: \_\_\_\_\_

Arch./Engr.: \_\_\_\_\_

Date: \_\_\_\_\_

**Description:**

VSVS-Series Variable Speed Ventilator that is suitable for Dryer venting, Combustion air and/or ventilation.

Use with the CPC-3 Constant Pressure Controller, Closed Loop VFD and TD-Series Pressure Transducer for an Automatic-Variable Speed system which will modulate to always deliver the perfect amount of Dryer Exhaust, Combustion Air or Ventilation. For an Adjustable-Fixed speed system, use an Open Loop VFD to manually adjust speed of the VSVS Fan.

**Housing Construction:**

Continuously welded, Heavy-gauge, coated with a polyester powdercoat.

**Impeller:**

24.5" Non-overloading, aluminum wheel statically and dynamically balanced.

**Motor:**

Three phase, 3HP, 3x208-230/460 VAC, TEFC, E-PLUS®3, Inverter Duty Rated

**Performance:**

CFM 6,000  
S.P. 2.0" W.C.

**Standard Equipment:**

- Motor Cover
- PSA-1 Fan Proving Switch

**Optional Controls & Equipment:**

- CPC-3 Constant Pressure Controller
- IPS-1 Indoor Pressure Sensor decorative cover, fittings
- TD-2 Pressure Transducer (+0.15" to -0.60" w.c.)  
For draft or "Sealed" (ducted sealed combustion air) sensing
- TD-3 Pressure Transducer (+0.10" to -0.10" w.c.)  
For "Open" (room pressure) combustion air sensing
- VFD-Series Variable Frequency Drives
- SR6000 Square to Round Transition
- FFP-1 Freeze and Fire Protection Limit  
(FFP-1 For combustion air applications only!)

**Sound Levels in Db:**

Octave Bands	1	2	3	4	5	6	7	8	LwA
Level at Inlet	88	86	84	82	79	74	67	60	84

**Weight:**

572 Lbs

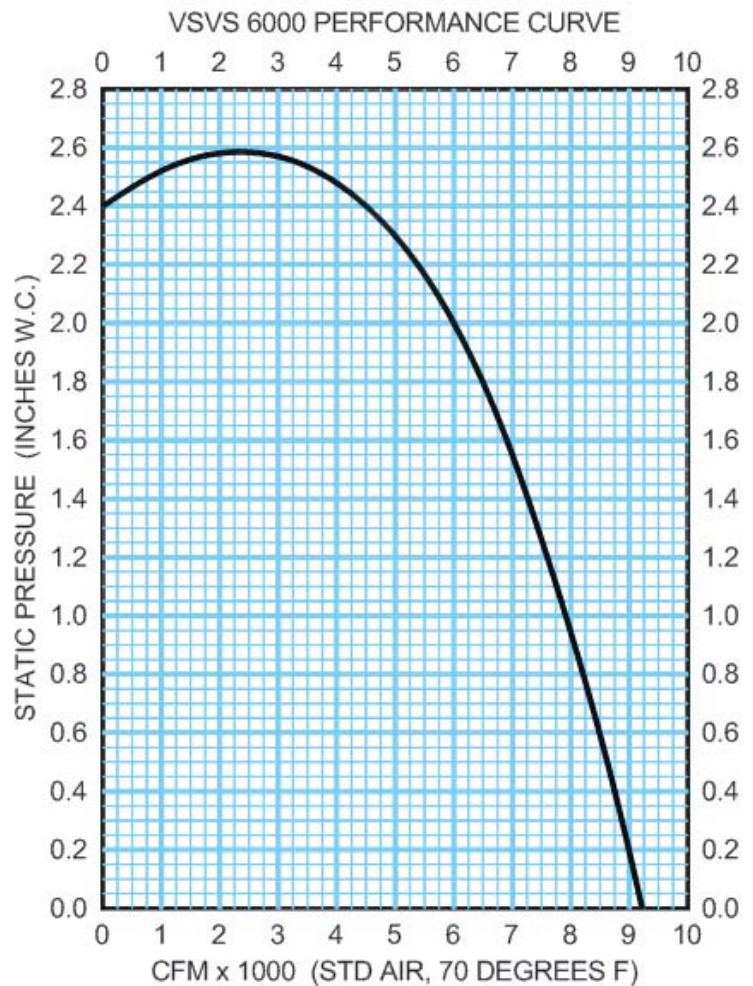
**Listings:**

- UL 705 - Power Ventilators
- UL 762 - Power Roof Ventilators for Restaurant Exhaust



**Warranty:**

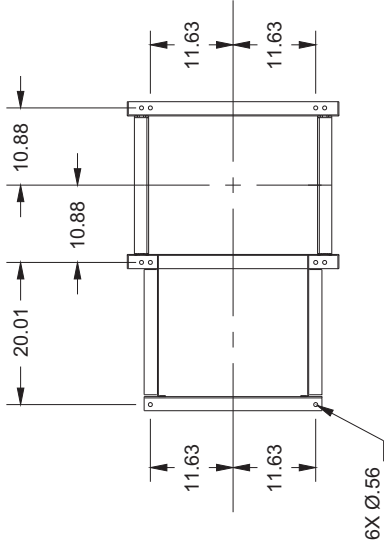
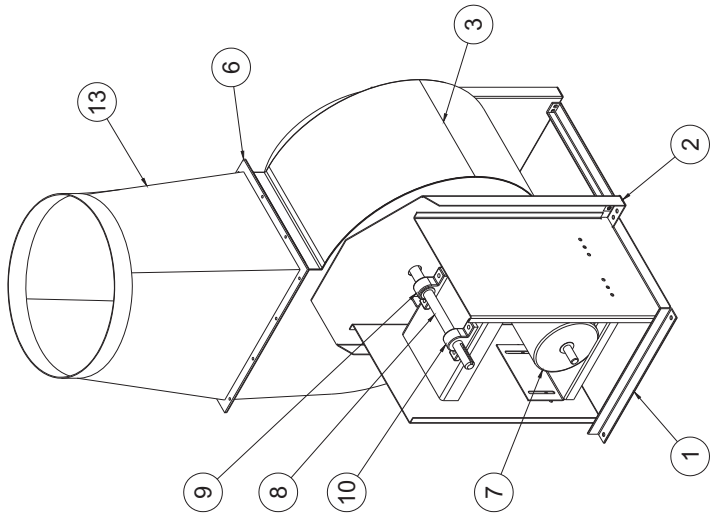
1 year mechanical



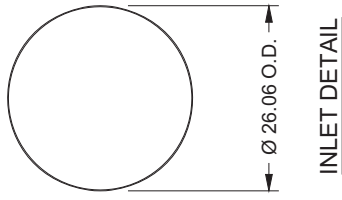
- 1 PEDESTAL
- 2 DRIVE STAND
- 3 HOUSING ASSEMBLY
- 4 INLET CONE
- 5 INLET RING

- 6 OUTLET FLANGE
- 7 MOTOR
- 8 SHAFT
- 9 BEARING
- 10 BEARING

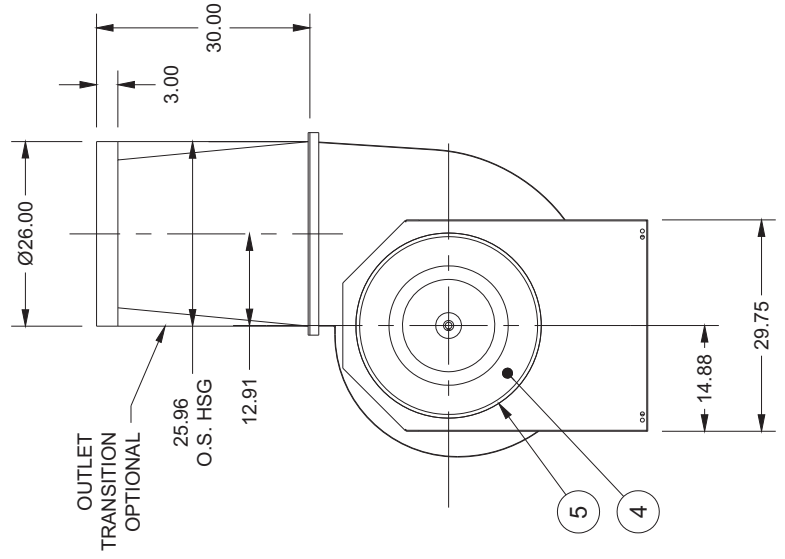
- 11 WHEEL (NOT SHOWN)
- 12 HUB (NOT SHOWN)
- 13 OUTLET TRANSITION



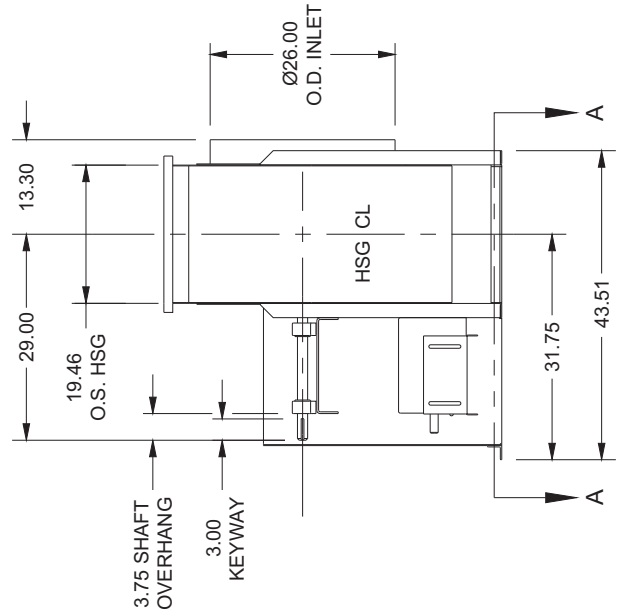
FOUNDATION PLAN - TOP VIEW  
SECTION A-A



INLET DETAIL



INLET SIDE VIEW



DRIVE SIDE VIEW

