



VSAD-SERIES AUTO-DRAFT® INDUCERS

Product & System Overview

Description:

Exterior mount variable speed mechanical draft inducer is ETL Listed for vertical and sidewall venting. Assures a negative pressure throughout the entire vent system. Features integral stainless steel handles and hinged housing with removable hinge pin for ease of installation and service. Integral tilt switch stops fan operation if housing is opened. Includes motor winding and compartment Limit Switches and PSA-1 Fan Proving switch.

Housing Construction:

Venter housing is constructed of Type 5052 aluminum and coated with bronze toned, high-temperature, corrosion resistant Ryton® PPS which offers the broadest resistance to chemicals of any advanced engineered plastic.

Impeller Construction:

Backward inclined Impeller is constructed of Type 304 stainless steel and computer balanced.

Motor:

Three phase, 208-230/460 VAC, permanently lubricated, sealed ball bearing. Variable speed.

Incorporates patented thermally actuated motor cooling system for extended motor life.

Listings:

ETL # 56826
UL 378 - Draft Equipment / Variable Speed
CSA-CAN3-B255-M81 / CSA-B140-M87



Warranty:

2 year mechanical
10 year corrosion

Temperature Rating:

U.S. 500° F
Canada 575° F / 300° C

Standard Equipment:

- 4" x 4" weatherproof junction box with 4' conduit
- PSA-1 Fan Proving Switch
- Mounting Plate
- Inlet Collar

Optional Equipment:

- RMK or WMK Series ETL approved Roof / Wall Mount kits
- ABD-Series Stainless Steel Adjustable Balancing Dampers 4-10", 12" & 14" models

Optional Controls:

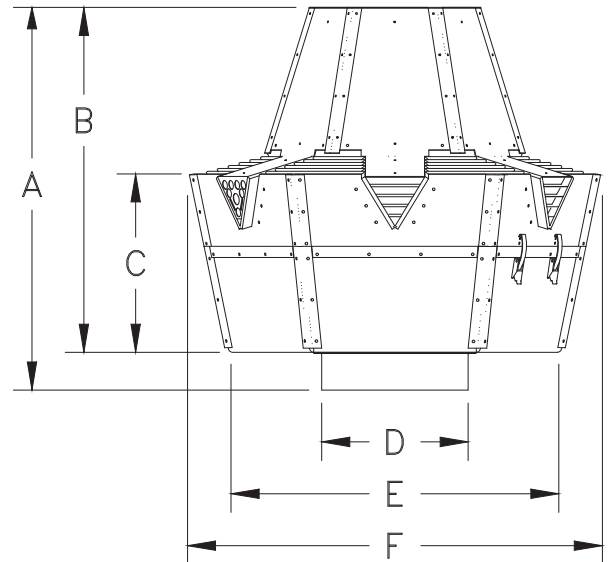
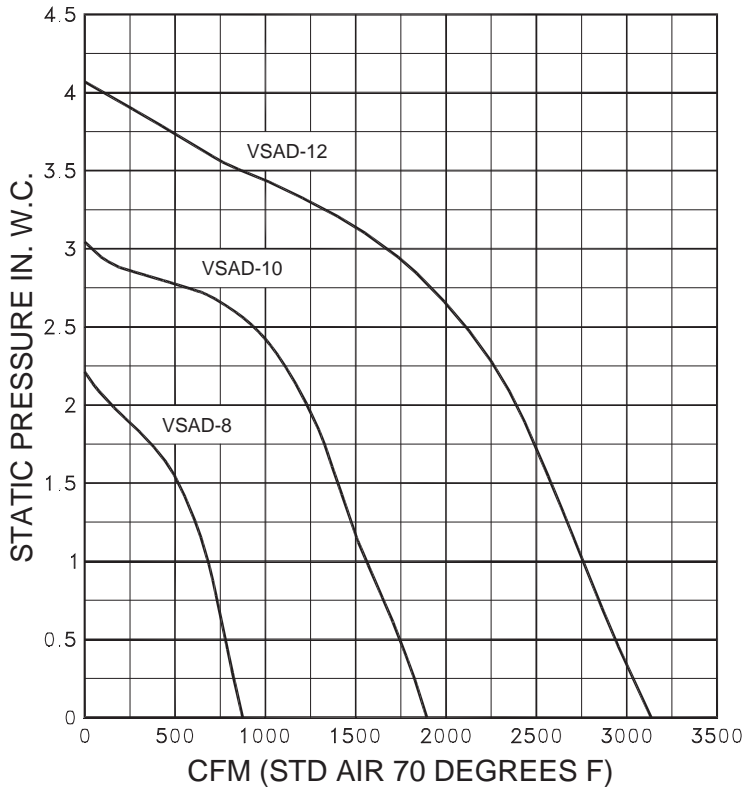
- CPC-3 Constant Pressure Controller
- EXP-4E Expansion Module
- VFD-Series Variable Frequency Drives
- TD-2 Pressure Transducer

VSAD-SERIES DIMENSIONAL AND PERFORMANCE DATA

MODEL		VSAD8-230	VSAD8-460A	VSAD10-230	VSAD10-460A	VSAD12-230	VSAD12-460A	
Fan Type		Centrifugal Impeller	Centrifugal Impeller	Centrifugal Impeller	Centrifugal Impeller	Centrifugal Impeller	Centrifugal Impeller	
Voltage	VAC	3x208-230	3x460	3x208-230	3x460	3x208-230	3x460	
RPM		2440	2440	2300	2300	2070	2070	
Amps	A	1.5	.75	3.4	1.7	6.2	3.1	
Power Rating	hp	1/3	1/3	1	1	2	2	
	kW	0.25	0.25	0.75	0.75	1.49	1.49	
Weight	lbs	48	48	101	101	140	140	
	kgs	21.77	21.77	45.80	45.80	63.49	63.49	
Dimensions	A	in	22	22	25	25	28 3/4	28 3/4
		mm	559	559	635	635	730	730
	B	in	19 3/4	19 3/4	23	23	26 1/2	26 1/2
		mm	500	500	585	585	674	674
	C	in	9	9	11 1/8	11 1/8	13 5/8	13 5/8
		mm	228	228	283	283	348	348
	D	in	7 7/8	7 7/8	9 7/8	9 7/8	11 7/8	11 7/8
		mm	200	200	251	251	302	302
	E	in	15	15	20	20	26 3/16	26 3/16
		mm	381	381	508	508	665	665
	F	in	18 3/4	18 3/4	24 3/4	24 3/4	31 3/4	31 3/4
		mm	475	475	629	629	806	806
Motor Soft Start Required		Yes (1)	Yes (1)	Yes (1)	Yes (1)	Yes (1)	Yes (1)	
Variable Speed Motor		Yes with VFD	Yes with VFD	Yes with VFD	Yes with VFD	Yes with VFD	Yes with VFD	

(1) Must use a Tjernlund VFD which includes Soft Start.

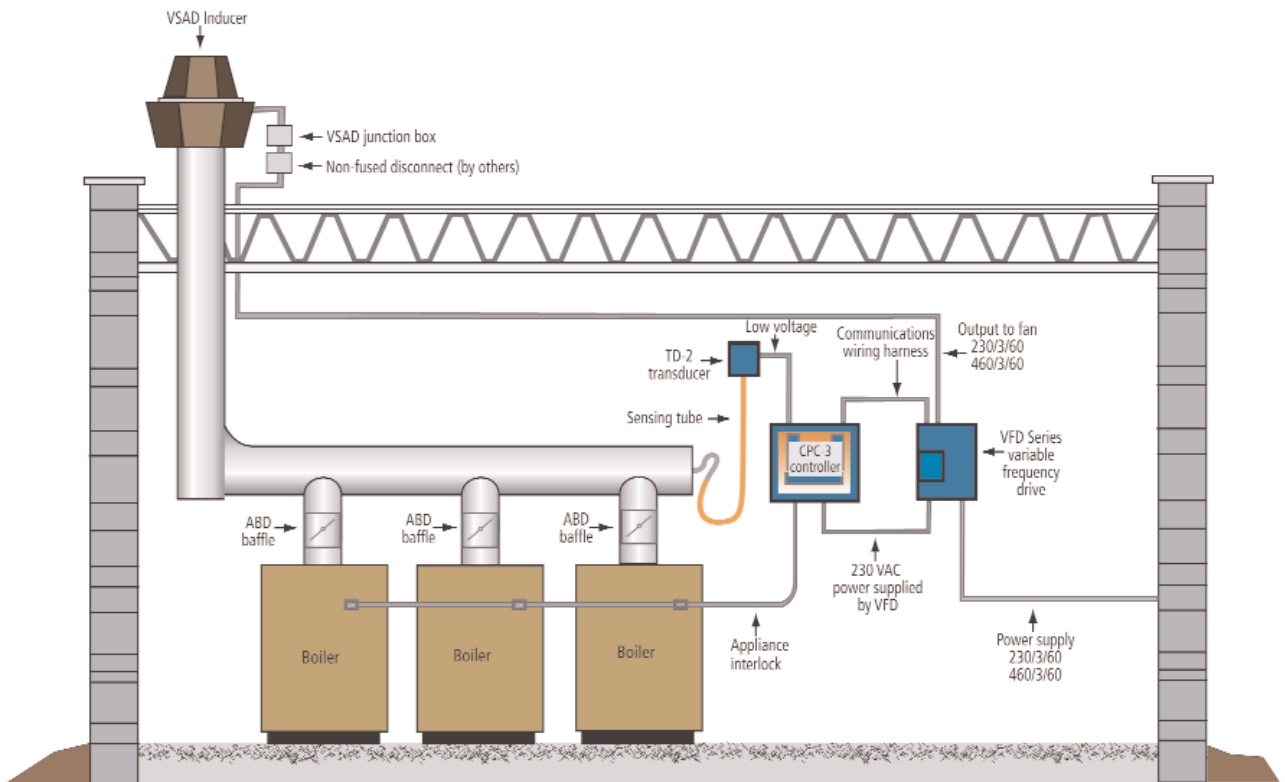
VSAD-SERIES FAN CURVES



RECOMMENDED LAYOUT DIAGRAMS



Mechanical Draft with VSAD-Series Inducer



Redundant Mechanical Draft System with VSAD Series Inducers

