



Submittal Data Sheet

VSVS9000 Variable Speed Ventilator

Job Name: _____

Equipment Rep: _____

Contractor: _____

Prepared By: _____

Arch./Engr.: _____

Date: _____

Description:

VSVS-Series Variable Speed Ventilator that is suitable for Dryer venting, Combustion air and/or ventilation.

Use with the CPC-3 Constant Pressure Controller, Closed Loop VFD and TD-Series Pressure Transducer for an Automatic-Variable Speed system which will modulate to always deliver the perfect amount of Dryer Exhaust, Combustion Air or Ventilation. For an Adjustable-Fixed speed system, use an Open Loop VFD to manually adjust speed of the VSVS Fan.

Housing Construction:

Continuously welded, Heavy-gauge, coated with a polyester powdercoat.

Impeller:

30" Non-overloading, aluminum wheel statically and dynamically balanced.

Motor:

Three phase, 5HP, 3x208-230/460 VAC, TEFC, E-PLUS®3, Inverter Duty Rated

Performance:

CFM 9,000
S.P. 2.0" W.C.

Standard Equipment:

- Motor Cover
- PSA-1 Fan Proving Switch

Optional Controls & Equipment:

- CPC-3 Constant Pressure Controller
- IPS-1 Indoor Pressure Sensor decorative cover, fittings
- TD-2 Pressure Transducer (+0.15" to -0.60" w.c.)
For draft or "Sealed" (ducted sealed combustion air) sensing
- TD-3 Pressure Transducer (+0.10" to -0.10" w.c.)
For "Open" (room pressure) combustion air sensing
- VFD-Series Variable Frequency Drives
- SR9000 Square to Round Transition
- FFP-1 Freeze and Fire Protection Limit
(FFP-1 For combustion air applications only!)

Sound Levels in Db:

Octave Bands	1	2	3	4	5	6	7	8	LwA
Level at Inlet	90	90	86	82	78	75	69	64	84

Weight:

833 Lbs

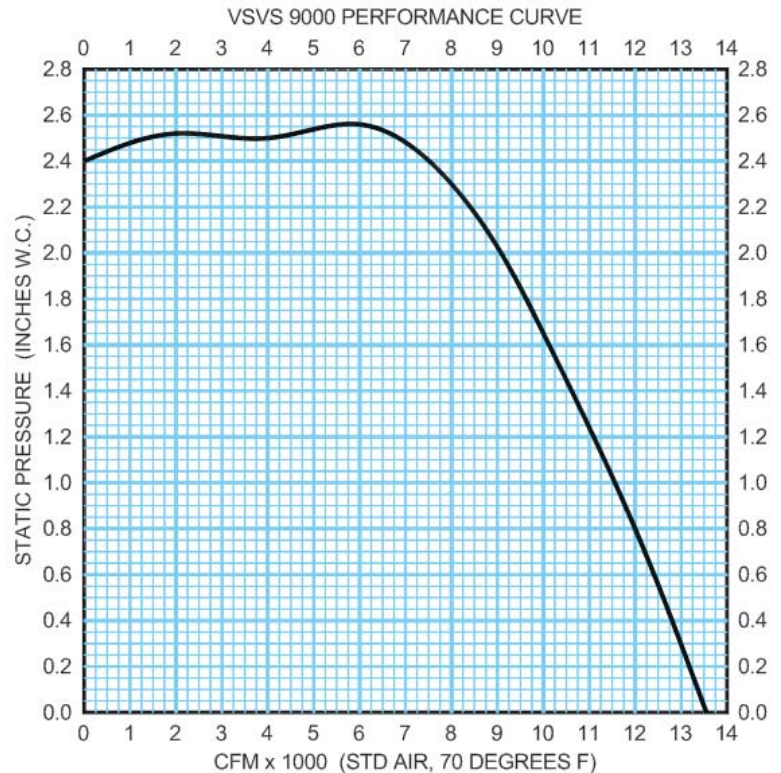
Listings:

- UL 705 - Power Ventilators
- UL 762 - Power Roof Ventilators for Restaurant Exhaust

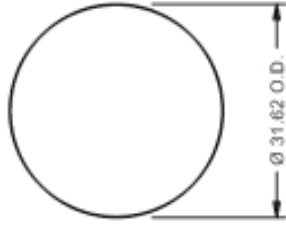
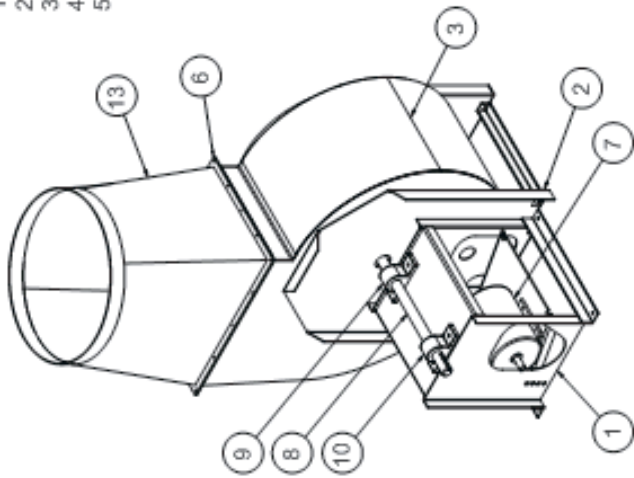


Warranty:

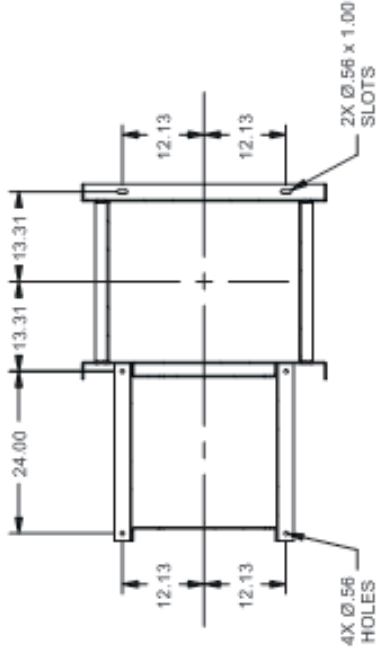
1 year mechanical



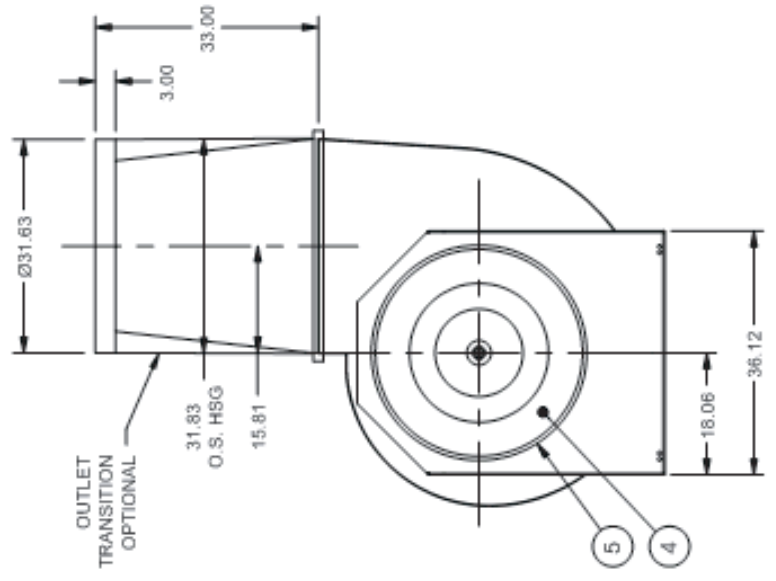
- 1 PEDESTAL
- 2 DRIVE STAND
- 3 HOUSING ASSEMBLY
- 4 INLET CONE
- 5 INLET RING
- 6 OUTLET FLANGE
- 7 MOTOR
- 8 SHAFT
- 9 BEARING
- 10 BEARING
- 11 WHEEL (NOT SHOWN)
- 12 HUB (NOT SHOWN)
- 13 OUTLET TRANSITION



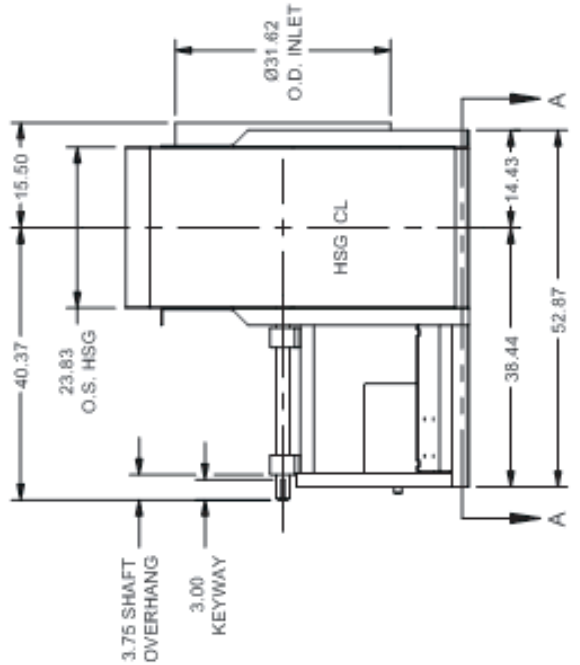
INLET DETAIL



FOUNDATION PLAN - TOP VIEW SECTION A-A



INLET SIDE VIEW



DRIVE SIDE VIEW

