

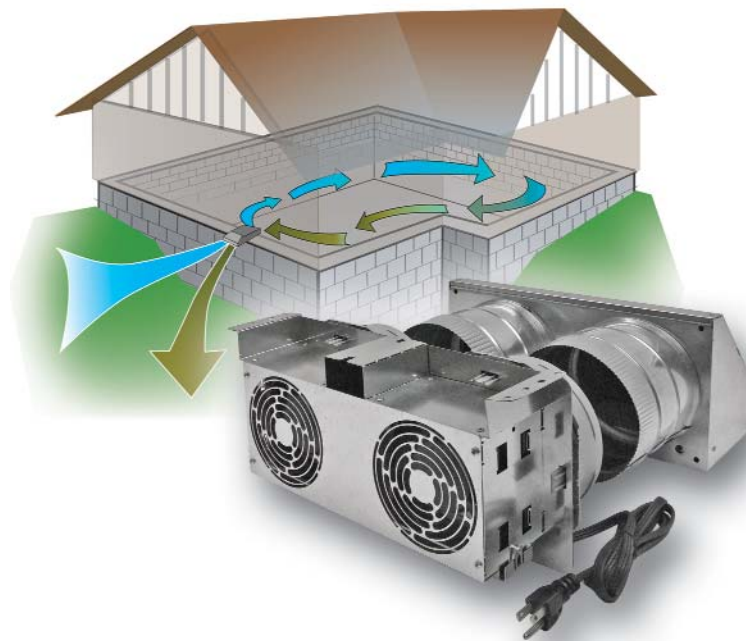


TJERNLUND PRODUCTS, INC.

1601 Ninth Street • White Bear Lake, MN 55110-6794
PHONE (800) 255-4208 • (651) 426-2993 • FAX (651) 426-9547
Visit our web site • www.tjernlund.com



MODEL X2R



INSTALLATION INSTRUCTIONS

OWNER'S INSTRUCTIONS, DO NOT DESTROY

THIS DEVICE MUST BE INSTALLED BY A
QUALIFIED PERSON.

READ INSTRUCTIONS CAREFULLY PRIOR TO
INSTALLATION AND OPERATION OF THE XCHANGER.

TABLE OF CONTENTS

Descriptions and Specifications.....	1
Installation Restrictions.....	1
Cautions	1-2
Recommended Methods and Patterns of Operation.....	2-3
Recommended Installation and Termination Locations.....	3-4
XCHANGER™ Installation.....	4-6
Maintenance	6
How to Obtain Service & Warranty	6-7
Replacement Parts & Accessories	7

XCHANGER™ is a trademark of Tjernlund Products, Inc.

Tjernlund Products welcomes your comments and questions. Call us at (651) 426-2993, (800) 255-4208, Fax (651) 426-9547, email us at fanmail@tjfans.com or write to: Customer Service, Tjernlund Products, Inc., 1601 Ninth Street, White Bear Lake, MN 55110-6794.

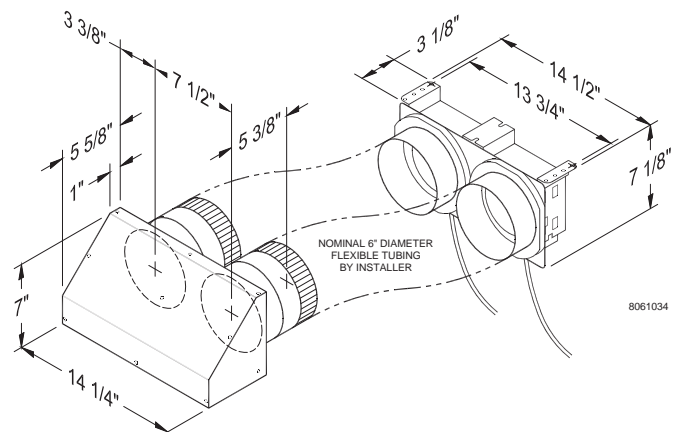
DESCRIPTION

The XCHANGER™ model X2R is a dual fan mechanical ventilator capable of exhausting inside air, providing fresh outside air or providing a balanced air exchange. The fans can be independently switched on or off or be easily reversed to provide fresh outside air or exhaust inside air. The XCHANGER™ can be operated by a standard plug-in timer or Tjernlund's optional DH2P dehumidistat control which operates the fan(s) based on the relative humidity sensed inside the home. The DH2P control includes an "On" setting that will operate the fan(s) continuously or it can be turned "Off" so the fan(s) do not operate during undesirable seasons. Tjernlund's optional SCP speed control kit is also available to vary speed of fans if desired. See accessories on page 7.

X2R SPECIFICATIONS

MODEL X2R XCHANGER

	1 FAN	2 FANS
Voltage	120	120
Watts	20	40
Amps	0.3	0.6
CFM	90	180



Rough-in Wall Opening Dimensions:

13 1/4" x 6 1/2" Oval opening - utilize included template

GENERAL INFORMATION

Each XCHANGER™ is electrically factory line tested before shipment. After opening carton, inspect thoroughly for hidden damage.

INSTALLATION RESTRICTIONS

- WARNING:** Improper installation, adjustment, alterations, service or maintenance can cause injury or property damage. Refer to this manual. For assistance or additional information consult a qualified installer, service agency or the equipment supplier.
- WARNING:** Sufficient air is needed for proper combustion and exhausting of gases through the flue (chimney) of fuel burning equipment to prevent backdrafting. Follow the heating equipment manufacturer's guideline and safety standards such as those published by the National Fire Protection Association (NFPA), and the American Society for Heating, Refrigeration and Air Conditioning Engineers (ASHRAE), and the local code authorities.
- WARNING:** Do not exhaust air from mechanical room unless makeup air is also supplied or equipment in mechanical room is sealed combustion. Carbon monoxide poisoning may result. Use the DT2-6 6" duct take-off kit so exhaust can be removed from outside the mechanical room if necessary.

Observe proper location of hood as described on page 3. The XCHANGER™ must only be installed with the hood on an exterior wall. Do not discharge intake air onto water pipes or other equipment which may be affected by temperature extremes.

CAUTIONS

WARNING: Failure to install, maintain and/or operate the XCHANGER™ in accordance with manufacturer's instructions may result in conditions that can produce bodily injury and property damage.

Disconnect power supply to fans and/or accessory controls when reversing fan direction or servicing the XCHANGER™. Failure to do so may result in personal injury and/or equipment damage.

Make certain the power source is adequate for the XCHANGER™ requirements. Do not add the XCHANGER™ to a circuit where the total electrical load is unknown.

TJERNLUND OPTIONAL DH2P DEHUMIDISTAT CONTROL MODULE OPERATION

The DH2P control module includes an adjustable dehumidistat control which activates the fan(s) if the relative humidity rises above the selected set-point. It is generally recommended to maintain a Relative Humidity (RH) below 60% to inhibit mold growth. The dehumidistat can be turned fully clockwise to the 'on' position for constant fan(s) operation or it can be turned fully counter-clockwise to 'off' during seasons or times when it is not desired for the XCHANGER™ fan(s) to run. Each fan can be independently turned on/off by its fan switch on control module.



STANDARD PLUG-IN TIMER OPERATION

A standard adjustable timer can also be utilized for timed operation of the XCHANGER™ fan(s). Plug timer into standard outlet and plug XCHANGER™ fans into wall timer.

TJERNLUND OPTIONAL SCP SPEED CONTROL OPERATION

Tjernlund's optional SCP speed control can be used to vary the speed of the XCHANGER™ fans. Plug SCP speed control into standard outlet and plug XCHANGER™ fans into SCP speed control.

RECOMMENDED PATTERNS OF OPERATION

If using the optional DH2P dehumidistat control, the X2R fans can be cycled automatically based on the relative humidity level of the house or it can be operated based on recommendations below. It is generally recommended to maintain a Relative Humidity (RH) below 60% to inhibit mold growth.

A standard plug-in wall timer can be programmed based on the lifestyle or needs of the occupants. For example, a family with smokers may want to cycle the XCHANGER™ more frequently than a family of non-smokers.

Another timed method may be to cycle the XCHANGER™ during peak usage of exhaust fans, such as bathroom, kitchen, laundry or utility. Outdoor air should be brought in at these peak times to help balance out pressure inside the house.

The XCHANGER™ can be cycled on and off at regular intervals to periodically provide fresh air to the home, exhaust stale air or have one fan bring air in and the other fan exhaust air for a balanced air exchange. It can also be ran like an economizer to bring outside air in during evening time when it is cooler outside.

HYPOTHETICAL XCHANGER OPERATION BASED ON LIFESTYLE

The example below shows a possible way in which cycling times of the XCHANGER™ may be determined based on household occupant lifestyles.

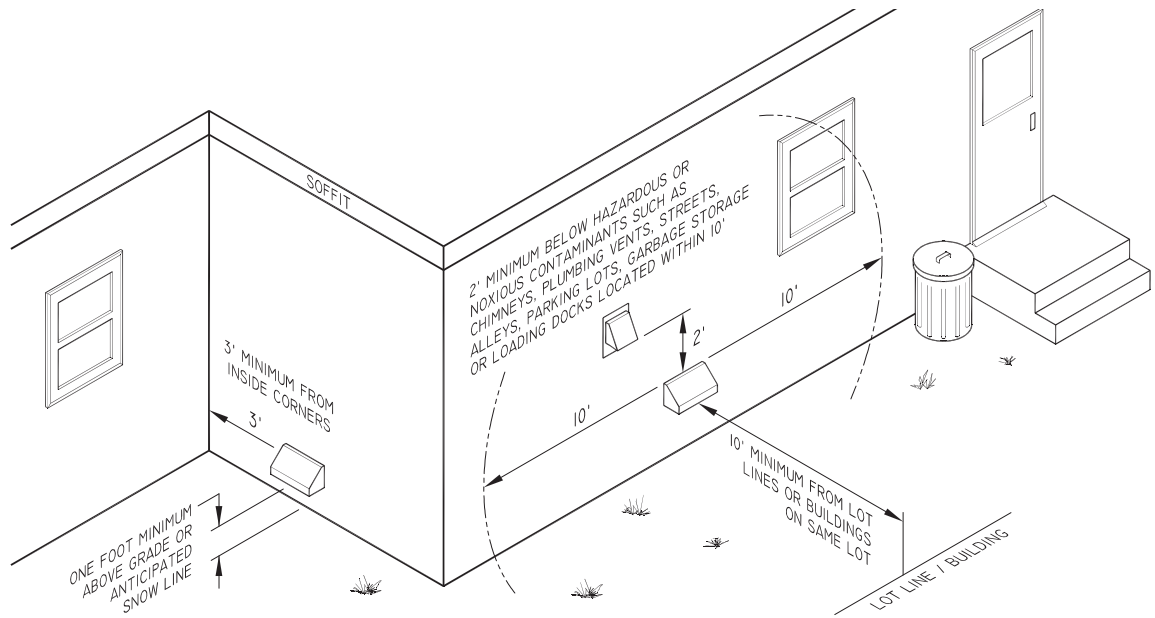
6:00 A.M. to 9:00 A.M. = Outside fresh air should be brought into the house to compensate for morning routines. Bathing, cooking, laundry and other activities such as smoking necessitate that outside fresh air to be brought in. Depressurization of the house at these times is common with many exhaust fans running at one time.

9:00 A.M. to 4:00 P.M. = House is normally vacant with occupants at work or school. Cycle XCHANGER™ on and off for 15 minute intervals per hour to assure fresh air is supplied to the house.

4:00 P.M. to 8:00 P.M. = Outside fresh air should be brought into the house to compensate for evening routines. Bathing, cooking, laundry and other activities such as smoking necessitate that outside fresh air to be brought in. Depressurization of the house at these times is common with many exhaust fans running at one time.

8:00 P.M. to 6:00 A.M. = All members of the household are usually present. Outside fresh air is needed to dilute occupant generated carbon dioxide during sleeping. Cycle XCHANGER™ on and off for 15 minute intervals, with occasional 30 minute intervals to assure fresh air is supplied to house.

DIAGRAM A



INSTALLATION (TOOLS REQUIRED)

- Reciprocating saw
- Drill and 1/2" bit
- 5/16" nut runner or socket
- Phillips screwdriver
- Siding tools (dependent on exterior finish)
- Level

INSTALLATION

NOTE: Before cutting opening through wall, confirm XCHANGER™ hood termination clearances are met as noted on bottom of page 3.

1. A) Center X2R mounting template and tape to the rim joist between the floor joists/trusses XCHANGER™ will be mounted through, (See Diagram B).
 B) If XCHANGER™ is not installed between floor joists or trusses, attach the template to the wall it will be exiting, ensuring XCHANGER™ will be level.
2. **CAUTION:** When cutting or drilling into wall, do not damage electrical wiring and other hidden utilities. Using a 1/2" bit, drill pilot holes noted on the template from inside through rim joist, wall board, siding, etc., keeping drill bit perpendicular to the wall. 1/2" bit must be long enough to penetrate through exterior.
3. Use a level to mark (4) holes drilled in step 2 and connect the holes on building exterior, (See Diagram C). Use provided X2R oval template to align pilot holes and trace the remaining outline for opening. Use a saw to remove material between marks, (See Diagram D).

DIAGRAM B



CENTER AND LEVEL TEMPLATE BETWEEN JOISTS / TRUSSES OR PLACE ON WALL X2R XCHANGER WILL EXIT.

DIAGRAM C



DRILL (4) 1/2" CORNER HOLES THROUGH WALL FROM INTERIOR AND CONNECT HOLES ON EXTERIOR WITH A LEVEL. ALIGN TEMPLATE WITH HOLES AND TRACE REMAINING LINES.

DIAGRAM D



CUT OVAL TEMPLATE OPENING ALONG MARKED LINES.

4. Insert XCHANGER™ hood backing plate through exterior wall with collars on inside of house. **IMPORTANT:** Make sure backing plate bent flange is on top facing out, (See Diagram G). For vinyl or other types of lap siding, level backing plate and trace around edges. Trim siding back enough to install J channel or appropriate flashing, (See Diagram E).
5. Place a bead of caulk on back side of hood backing plate or building sheathing before inserting backing plate, (See Diagram F).
6. Insert XCHANGER™ hood backing plate through exterior wall. **NOTE:** It may be desirable to attach flex duct to collars and feed into house to make it easier to attach duct to collars if mounting through rim joist. **IMPORTANT:** Make sure that hood backing plate bent flange is on top facing out, level and secure to wall using (4) 1" sheetrock screws, (See Diagram G).

DIAGRAM E



LEVEL XCHANGER HOOD BACKING PLATE AND TRACE FLANGE. TRIM SIDING BACK SO BACKING PLATE CAN BE MOUNTED FLUSH TO EXTERIOR SHEATHING.

DIAGRAM F



PLACE A BEAD OF CAULK ON XCHANGER HOOD BACKING PLATE FLANGE OR BUILDING SHEATHING BEFORE INSERTING BACKING PLATE.

DIAGRAM G



LEVEL HOOD BACKING PLATE AND SECURE TO WALL USING (4) SCREWS. **IMPORTANT:** MAKE SURE BENT FLANGE IS ON TOP FACING OUT.

7. Install J channel or appropriate flashing around XCHANGER™ hood backing plate. Do not cover up hood backing plate or hood may not fit in J channel, (See Diagram H).
8. Hook X2R hood on backing plate top bent flange, and install (4) 1/4" x 3/8" self tapping screws in bottom of hood through flange clearance holes to screw hood into backing plate, (See Diagram I).
9. Apply a bead of caulk around hood and siding, (See Diagram J).

DIAGRAM H



INSTALL J CHANNEL OR APPROPRIATE FLASHING AROUND XCHANGER HOOD BACKING PLATE.

DIAGRAM I



HOOK X2R HOOD ON BACKING PLATE TOP FLANGE. INSTALL (4) 1/4" X 3/8" SELF TAPPING SCREWS IN BOTTOM HOOD FLANGE CLEARANCE HOLES TO SCREW HOOD INTO BACKING PLATE.

DIAGRAM J



APPLY A BEAD OF CAULK AROUND HOOD AND SIDING.

10. Mount X2R Fan Assembly below or between joists / trusses to a cross brace or to a wall stud in any orientation with (3) 5/16" x 1 1/4" screws on left, right and center mounting feet, (See Diagram K).
11. Use 6" flex duct to connect XCHANGER™ hood to fan assembly collars. Firmly secure duct to collars with included zip ties. Insulated flex should be used in cold climates to prevent condensation. Properly support duct to minimize sagging, bends and sharp turns that may restrict air flow, (See Diagram L).

DIAGRAM K



MOUNT X2R BELOW OR BETWEEN JOISTS / TRUSSES TO A CROSS BRACE OR ON A STUD WALL IN ANY ORIENTATION. USE (3) 5/16" X 1 1/4" SCREWS ON LEFT, RIGHT AND CENTER MOUNTING FEET.

DIAGRAM L



FIRMLY SECURE DUCT TO COLLARS WITH INCLUDED ZIP TIES. INSULATED FLEX SHOULD BE USED IN COLD CLIMATES TO PREVENT CONDENSATION. PROPERLY SUPPORT DUCT TO MINIMIZE SAGGING, BENDS AND SHARP TURNS THAT MAY RESTRICT AIR FLOW.

12. **WARNING:** Unplug fans from wall outlet or accessory controls when changing fan direction to prevent damage or injury. Insert fans in desired direction for either exhaust or intake. See arrow on bottom of fan cartridge or side of fan shroud for air flow direction. Once installed confirm the air is being exhausted or supplied depending upon application, (See Diagram M).

DIAGRAM M



WARNING: UNPLUG FANS WHEN CHANGING DIRECTION. SEE ARROW ON BOTTOM OF FAN CARTRIDGE OR SIDE OF FAN SHROUD FOR AIR FLOW DIRECTION.

MAINTENANCE

The XCHANGER™ hood screen must be inspected every 3 to 6 months. Remove any foreign material such as leaves, lint, cottonwood or other items. Remove screen to clean if necessary, (See Diagram N).

DIAGRAM N

INSERT HOOD SCREEN IN HOOD GUIDES.



HOW TO OBTAIN SERVICE

1. If you have any questions about your XCHANGER™ or if it requires adjustment, repair or routine maintenance, we suggest that you contact your installer, contractor or service agency.
2. If you require technical information contact Tjernlund Products, Inc. at 1-800-255-4208 or email us at fanmail@tjfans.com.

When contacting Tjernlund Products, Inc., please have the following information available:

1. Model number and date code of the XCHANGER™
2. Name and address of installer and service agency
3. Date of original installation and dates any service work was performed
4. Details of the problem

LIMITED PARTS WARRANTY AND CLAIM PROCEDURE

Tjernlund Products, Inc. warrants the components of the XCHANGER™ for one year from date of installation. This warranty covers defects in material and workmanship. This warranty does not cover normal maintenance, transportation or installation charges for replacement parts or any other service calls or repairs. This warranty DOES NOT cover the complete XCHANGER™ if it is operative, except for the defective part.

Tjernlund Products, Inc. will issue credit or provide a free part to replace one that becomes defective during the one year warranty period. All receipts should include the date code of the XCHANGER™ to ensure that the defective component corresponds with the complete unit. This will help prevent possible credit refusal.

- 1.) Follow troubleshooting guide to determine defective component. If unable to determine faulty component, contact your Tjernlund distributor, Tjernlund Products Technical Customer Service Department at 1-800-255-4208 for troubleshooting assistance or email us at fanmail@tjfans.com.
- 2.) After the faulty component is determined, return it to your Tjernlund distributor for replacement. Please include XCHANGER™ date code component was taken from. Credit or replacement will only be issued to a Tjernlund distributor after the defective part has been returned prepaid to Tjernlund.

WHAT IS NOT COVERED

- Product installed contrary to our installation instructions
- Product that has been altered, neglected or misused
- Any freight charges related to the return of the defective part
- Any labor charges related to evaluating and replacing the defective part

TJERNLUND LIMITED 1 YEAR WARRANTY

Tjernlund Products, Inc. warrants to the original purchaser of this product that the product will be free from defects due to faulty material or workmanship for a period of (1) year from the date of original purchase or delivery to the original purchaser, whichever is earlier. Remedies under this warranty are limited to repairing or replacing, at our option, any product which shall, within the above stated warranty period, be returned to Tjernlund Products, Inc. at the address listed below, postage prepaid. THERE ARE NO WARRANTIES WHICH EXTEND BEYOND THE DESCRIPTION ON THE FACE HEREOF, AND TJERNLUND PRODUCTS, INC. EXPRESSLY DISCLAIMS LIABILITY FOR INCIDENTAL OR CONSEQUENTIAL DAMAGES ARISING FROM THE USE OF THIS PRODUCT. THIS WARRANTY IS IN LIEU OF ALL OTHER EXPRESS WARRANTIES AND NO AGENT IS AUTHORIZED TO ASSUME FOR US ANY LIABILITY ADDITIONAL TO THOSE SET FORTH IN THIS LIMITED WARRANTY. IMPLIED WARRANTIES ARE LIMITED TO THE STATED DURATION OF THIS LIMITED WARRANTY. Some states do not allow limitation on how long an implied warranty lasts, so that limitation may not apply to you. In addition, some states do not allow the exclusion or limitation of incidental or consequential damages, so that above limitation or exclusion may not apply to you. This warranty gives you specific legal rights and you may also have other rights which may vary from state to state. Send all inquiries regarding warranty work to Tjernlund Products, Inc. 1601 9th Street, White Bear Lake, MN 55110-6794. Phone (651) 426-2993 • (800) 255-4208 • Fax (651) 426-9547 • Email fanmail@tjfans.com.

XCHANGER PARTS AND ACCESSORIES

REPLACEMENT PARTS

XCHANGER™ Fan Assembly	950-8350
XCHANGER™ Hood Screen	950-8352
XCHANGER™ Hood with Screen	950-8353

OPTIONAL ACCESSORIES

6" Duct Take-Off Kit	DT2-6
6" Spring Return Back-Draft Damper	BD-6
6" White Plastic Exhaust / Supply Grille	G-6
DH2P Dehumidistat Control	DH2P
Plug-In Speed Control	SCP
Wireless 120v Outlet	SWR