



## Submittal Data Sheet

# VSRI30 ROUND INLINE FAN

Job Name: \_\_\_\_\_

Equipment Rep: \_\_\_\_\_

Contractor: \_\_\_\_\_

Prepared By: \_\_\_\_\_

Arch./Engr.: \_\_\_\_\_

Date: \_\_\_\_\_

**Description:**

VSRI-Series Variable Speed Round Inline Fans are suitable for providing combustion air or ventilation.

Use with the CPC-3 Constant Pressure Controller, closed-loop VFD, and TD-Series Pressure Transducer for an automatic-variable speed system which will modulate to always deliver the perfect amount of combustion air or ventilation. For an adjustable-fixed speed system, use an open-loop VFD to manually adjust the speed of the VSRI.

**Housing Construction:**

Continuously welded, heavy-gauge, corrosion resistant, enamel coated steel housing.

**Impeller Construction:**

Non-overloading, aluminum impeller that is statically and dynamically balanced.

**Motor:**

Three phase, 5 HP, 208-230/460 VAC, TEFC, E-PLUS 3, Inverter Duty Rated.

**Standard Equipment:**

- 4" x 4" weatherproof junction box
- PSA-1 Fan Proving Switch
- FFP-1 Fire and Freeze Protection Limit

**Optional Equipment:**

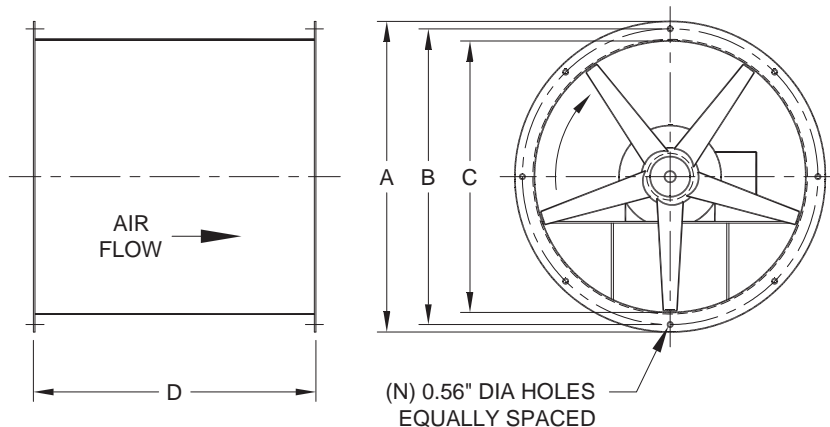
- CPC-3 Constant Pressure Controller
- IPS-1 Indoor Pressure Sensor Decorative Cover Fitting
- TD-Series Pressure Transducer
- VFD-Series Variable Frequency Drive

**Listings:**

UL 705 - Power Venters

**Temperature Rating:**

120° F / 49° C



VSRI30	
Fan Type	Tubeaxial
Voltage	3x230 / 3x460
Amps	13.71 / 6.2
RPM	1750
Power Rating	5 HP
Weight	170 Lbs
Dimension A	33.88"
Dimension B	32.00"
Dimension C	30.38"
Dimension D	26"
Mounting Holes (N)	(8) 0.56"